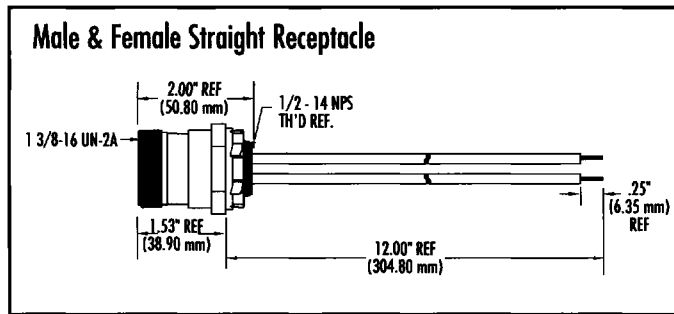


Quick-Change™ Receptacles

Product Specifications

MECHANICAL INSERT MATERIAL: NITRILE SHELL MATERIAL: THERMOPLASTIC CONTACT MATERIAL: BRASS CABLE TYPE(S): 10/12/14 AWG: 1 CONDUCTOR, PVC JACKETED, 105°C CABLE STRANDING: 14 AWG: 19 X #27 12 AWG: 7 X #30 10 AWG: 105 X #30	ELECTRICAL VOLTAGE RATING: 600VAC/600VDC CURRENT RATING: SEE ORDERING CHART ISOLATION RESISTANCE: ≥1000MΩ ENVIRONMENTAL PROTECTION: IP 68, NEMA 6P AMBIENT OPERATING TEMP: -20° TO +105°C CERTIFICATIONS UL: UL RECOGNIZED, FILE NO. E46237 CSA: CSA CERTIFIED, FILE NO. LR6837
---	---



RECEPTACLE WITH 12" PIGTAIL LEADS

POLES	FACE VIEW MALE	WIRING CODE	AWG CABLE SIZE	RATING 600V	NPT THREAD	MALE	FEMALE
2		1-BLACK 2-WHITE	#14	18A	1/2"	32017	32015
					3/4"	32018	32016
			#12	25A	1/2"	32032	32034
					3/4"	32033	32035
			#10	30A	1/2"	32065	32067
					3/4"	32066	32068
3		1-BLACK 2-WHITE 3-GREEN	#14	18A	1/2"	32317	32315
					3/4"	32318	32316
			#12	25A	1/2"	32357	32359
					3/4"	32358	32360
			#10	30A	1/2"	32419	32421
					3/4"	32410	32422
4		1-BLACK 2-GREEN 3-RED 4-WHITE	#14	15A	1/2"	32632	32630
					3/4"	32633	32631
			#12	20A	1/2"	32680	32682
					3/4"	32681	32683
			#10	25A	1/2"	32767	32769
					3/4"	32768	32770

NEW PRODUCT OPTIONS Aluminum version, add "AL" as suffix e.g. 32017 becomes 32017AL